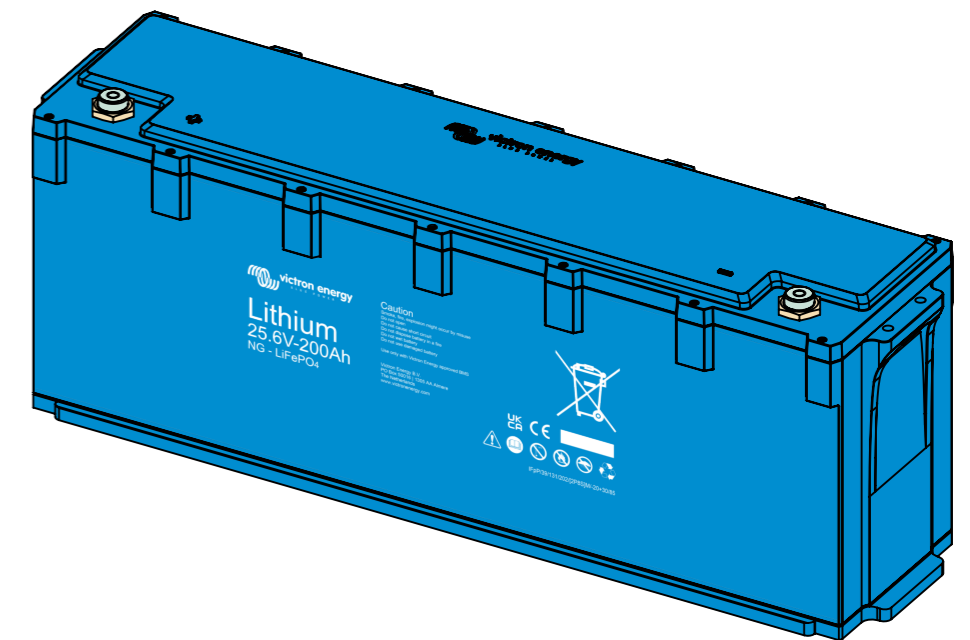
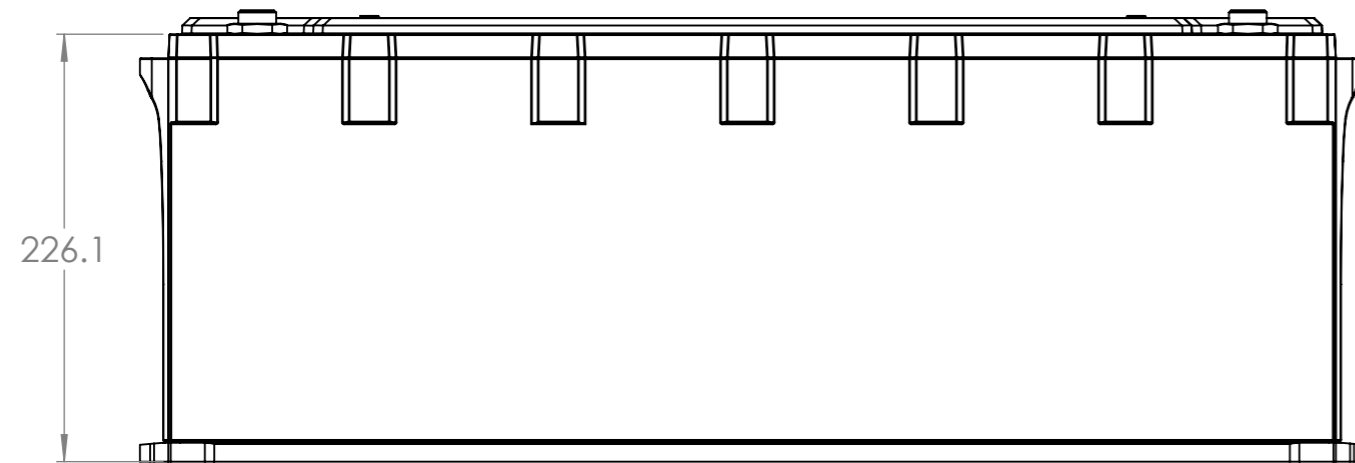
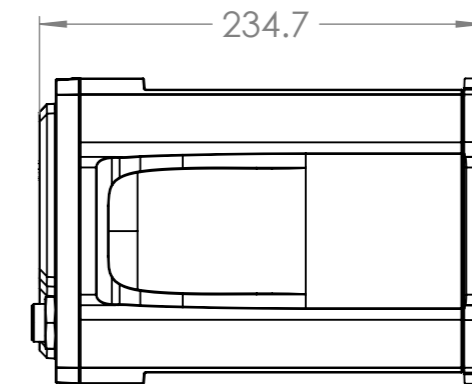
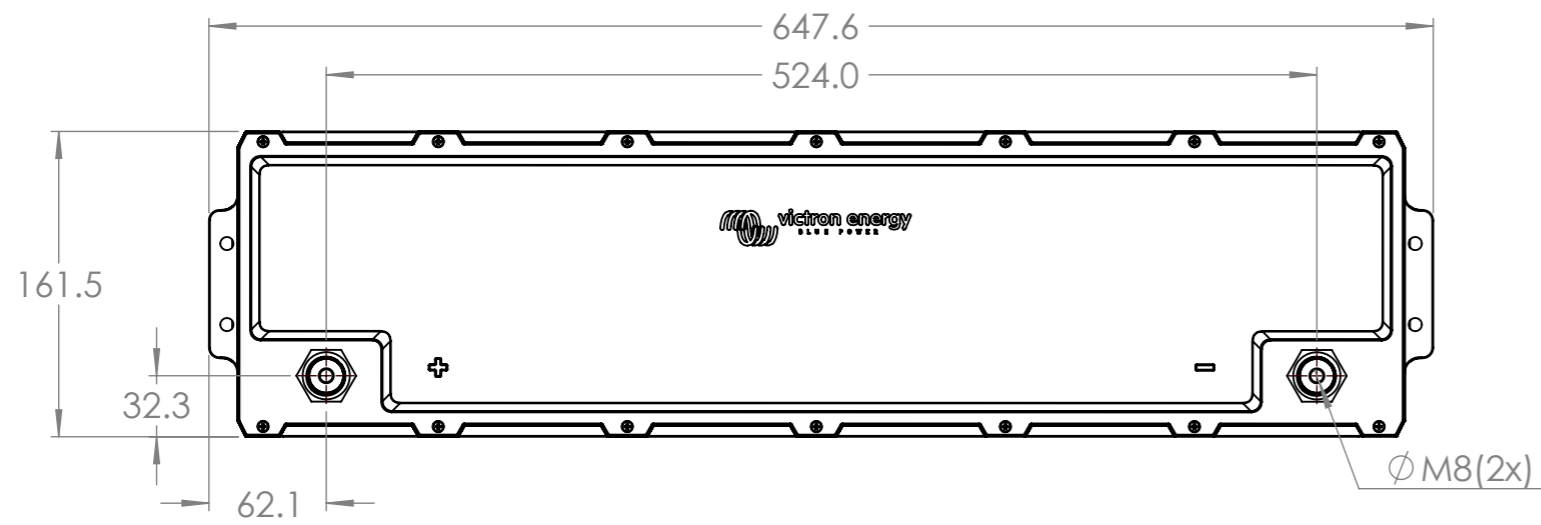


Dimension Drawing - LiFePO4 (NG)	
BAT524120620	LiFePO4 Battery 25,6V/200Ah NG
BAT548110620	LiFePO4 Battery 51,2V/100Ah NG



Dimensions in mm

victron energy
BLUE POWER

Rev01